

## Warranty Card

In addition to the legal warranty resulting from the contract of purchase and the legal product liability, BAGPAX Cargo Systems e.K. also grants a two year manufacturer's warranty covering all product characteristics as described by BAGPAX Cargo Systems e.K.. Product characteristics are set forth in public descriptions made by BAGPAX Cargo Systems e.K. as well as accompanying manuals. This warranty stipulates that during the warranty period, BAGPAX Systems Cargo e.K. is required to provide evidence that a defect in a product was caused by the customer's improper handling of the product.

Claims resulting from this warranty may be redeemed from BAGPAX Systems Cargo e.K., Gerberstraße 27, 66111 Saarbruecken, Germany. The customer has to prove the date of purchase by presenting the sales receipt from his local dealer.

Generally, customer complaints are processed by local dealers. If the customer is unable to comply with this, or if the defective item cannot be shipped by mail, or if the defective item was purchased directly from the manufacturer, claims may be redeemed directly from BAGPAX Systems Cargo e.K..

Packages containing defective items will be accepted only if the postage has been paid in full and if there is a valid RMA (Return Material Authorisation) number. Customers may request an RMA number by phone (call +49 9001 BAGBAX\* [+49 9001 224729\*]) or by completing the respective form provided on the BAGPAX website (<http://www.bagpax.com/reklamationen.php>). Please enclose a copy of the sales receipt in every package and a description of the defect.

BAGPAX reserves the right to either repair the item or to replace it completely. The customer must contact BAGPAX Systems Cargo e.K. individually before returning defective items by mail.

Please send all packages to the following address:

Trans-Logo-Tech GmbH  
Keyword: Return BAGPAX  
Industriestr. 27  
D-71706 Markgroenigen  
Germany

© 2006 BAGPAX Cargo Systems e.K.  
Manual 2. Edition, November 2007  
All rights reserved.

Any reprinting, copying or distributing of this manual or parts of it is illegal unless BAGPAX Cargo Systems e.K. has issued written approval. The manufacturer grants a two year warranty according to the accompanying warranty card.

Improper use voids the warranty and leads to the exclusion of all liability claims. Please follow local regulations when discarding the BAGPAX®.

# BAGPAX®

C a r g o S y s t e m s

## User's Manual

Dear customer,  
congratulations to your purchase of a BAGPAX® Limousine Series.

The first time you use your BAGPAX®, we recommend that you read this manual completely to ensure your safety and to ensure that you get the most out of your BAGPAX®. Also, we would like to recommend keeping this manual in the carrying case that comes with your BAGPAX®.

Enjoy your BAGPAX®!

### Product Features

BAGPAX® protects your trunk from dirt and it screens the contents in your trunk from the view of passers-by. The BAGPAX® Limousine Series is particularly adequate for all limousines. BAGPAX® can be used with the back seats flipped over or upright. The trunk of your car will always look nice and clean because small items can be stored in your BAGPAX® in an orderly fashion.

### Product Benefits

- Closed all around
- Quickly installed
- No changes to your car
- Small Carrying Case
- Easy to Clean

### Contents of the Package

- 1 x BAGPAX®
- 1 x Manual and Warranty Card
- 1 x Carrying Case

Please check if all items are included in your package!

### Measurements

- Bottom Element [cm]: 70 x 100
- Height [cm]: 50
- Capacity [l]: 350
- Carrying Case [cm]: 26 x 39 x 8,5

### Material Properties

- Polypropylene material: water-resistant, laminated
- Seams: water-resistant and reinforced



**BAGPAX®**  
Sedan

**EN**

## Safety Instructions

### DANGER Danger of Suffocation



People or animals may suffocate in the BAGPAX®.

- ➔ Never leave children unattended around your BAGPAX®.
- ➔ Promptly put away the carrying case for your BAGPAX® after use.

### DANGER Inflammable and Hot Materials



Hot materials may damage your BAGPAX®. Inflammable materials may be ignited by direct exposure to sunlight.



- ➔ Do not transport easily inflammable materials.
- ➔ Do not transport hot or glowing materials.

## Installing your BAGPAX®

### 1. Unpacking your BAGPAX®

- ➔ Open the carrying case and take out the BAGPAX®.
- i** Make sure that the carrying case is out of reach of children when stored.

### 2. Opening up your BAGPAX®

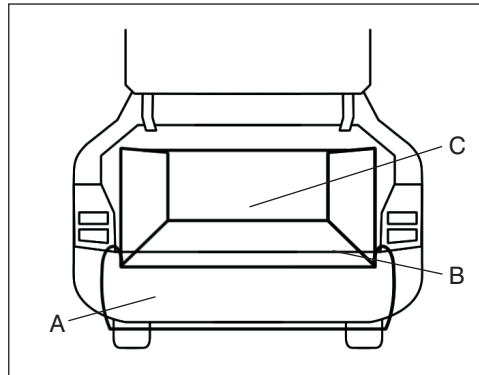
- ➔ Fold out your BAGPAX® on the loading area.
- ➔ Open the two zippers.
- i** Put the protective rear end of the BAGPAX® over the bumper or the rim of the trunk.

### 3. Putting up your BAGPAX®

- ➔ Push the side panels from the inside to the outside.
- i** The stability of the material ensures that the BAGPAX® will keep its shape independently.

### 4. Closing your BAGPAX®

- ➔ Close the two zippers.
- i** Hold on to the material when you are pulling the zipper through a bended area.



**A** hatch; **B** rim of the trunk; **C** loading area.

- i** If it turns out that the BAGPAX® cannot be installed in your car, please contact the manufacturer.

## Using your BAGPAX®

### Loading Cargo

- ➔ Load all cargo after installing the BAGPAX® in your car.
- i** Open and close your BAGPAX® as described in the section Installing your BAGPAX®. Do not place heavy items on the zippers.

### DANGER Unsecured Cargo



Unsecured Cargo in your BAGPAX® may be hazardous.

- ➔ Secure cargo to prevent it from shifting on the slippery surface of the BAGPAX®. It is also recommendable to secure cargo that has pointed or sharp edges.
- ➔ Secure the BAGPAX® safely if you are using it on the back seats.

### WARNING Overtaxing your BAGPAX®



Your BAGPAX® may be damaged if it is carried or moved while cargo is inside.

- ➔ Load all cargo after installing the BAGPAX® in your car.

## Cleaning your BAGPAX®

- ➔ Clean your BAGPAX® after use.  
You may use mild detergents like dishwashing liquid and a piece of cloth to clean your BAGPAX®.
- i** Do not use aggressive detergents.

## Storing your BAGPAX®

- ➔ To store your BAGPAX® properly, it is recommendable to fold it up after cleaning and drying. Keep your BAGPAX® with the accessory in the carrying case.
- i** Leave the zippers partly open so that the air inside can leave more quickly when the BAGPAX® is folded up.

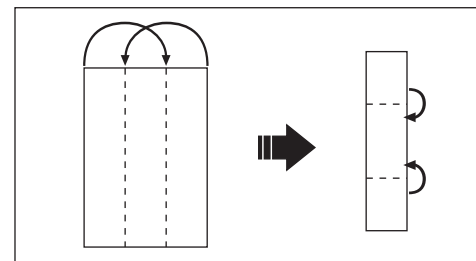
### DANGER Using Tools



Tools may damage your car as well as your BAGPAX®.

- ➔ Do not use tools when installing or uninstalling the BAGPAX® in your car.

## Folding your BAGPAX®



1. Place the top element as well as the bottom element onto each other.
2. Fold up the BAGPAX® lengthwise to reduce it a third of its normal measurements.
3. Fold in the upper and lower part so that the folded BAGPAX® is about 35 cm long.
4. Put your BAGPAX® in the carrying case.